



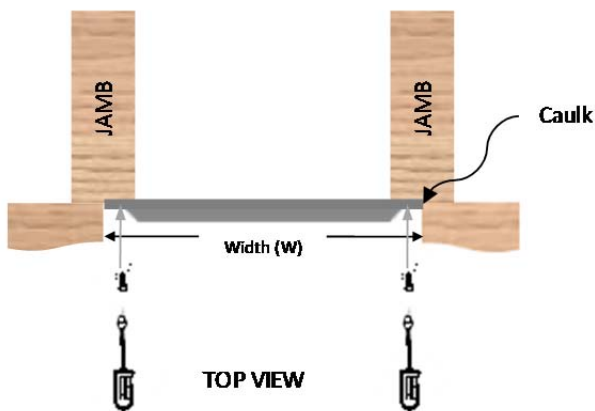
This document provides installation instructions for the QUANTAPANEL 500 Series Architectural Low-E Storm Window System.

To simplify installation, make sure your measurements are completely accurately using the Measurement Guidelines for QUANTAPANEL 500 Series.

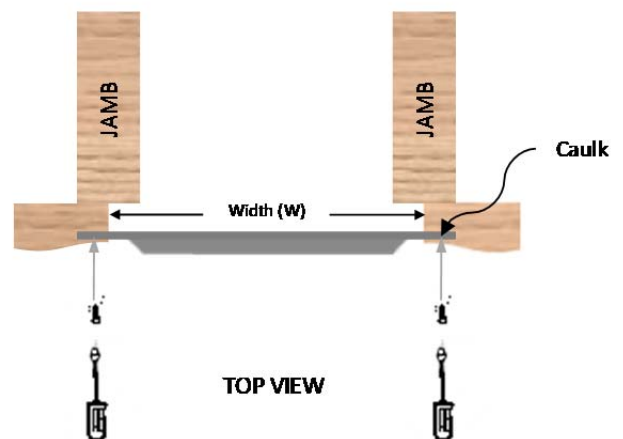
### Installation Guidelines

---

#### Inside Mount (Blind Stop)



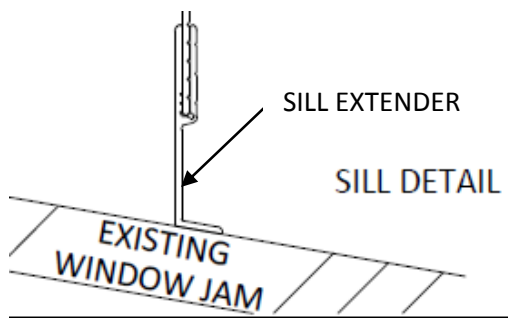
#### Outside Mount (Overlap)



### Installation Instructions

**Note:** Before commencing, place the QUANTAPANEL IGS sill extender on its bottom edge

1. Double-check the **QUANTAPANEL IGS** fit by centering it in the opening and making sure all the screw holes in the fins land on solid wood. Lay a fat bead of an exterior window perimeter sealing compatible **butyl, silicone or elastomeric compound** on the casing where the **QUANTAPANEL IGS** fins will be attached. **Caulk the head and jambs only - Do not caulk the sill.**
2. Tip the **QUANTAPANEL IGS** into place and center it from side to side in the opening. Then push it up until its stop hits the bottom edge of the head casing. Drop down about 1/8 inch, so the casing has room to expand with seasonal changes in humidity. Drive the first screw into place at the top fin's hole.
3. Center the **QUANTAPANEL IGS** bottom edge and drive two screws into the lowest holes on the side fins, but do not tighten them yet. Drive and tighten the remaining screws around the perimeter (NOTE: Make sure the operating clearance or "gap" between the sashes and the frame are even (the ideal gap" is 1/16" on each side of the sash). Slide the sash up and down; if it catches, rubs, or jams, it's a sign that the frame isn't square. Loosen the side screws, adjust the frame slightly to one side or the other, and try sliding the sash again.
4. Place a straight-tip screwdriver or putty knife at the bend in the bottom sill extender at one side of the **QUANTAPANEL IGS**. Use a hammer to gently tap the sill extender until it rests against the sill. Repeat on the opposite end. The sill extender is designed to extend the sill by an additional 3/8



inch. Additionally, adjusting the sill extender allows the bottom flange to make contact with the existing window sill in the event the existing sill is slightly out-of-square. The sill extender (or the bottom flange if your unit was specified without an extender) has weep holes which are narrow slits on the bottom. These weep holes MUST remain open and unobstructed to allow for proper venting and drainage of water that might accumulate in the sill while the window is open.

5. On one side of the **QUANTAPANEL IGS**, drive a screw at an angle into the sill next to the extender so that the screw's head traps the extender's lip. Repeat on the extender's opposite side. Tighten the bottom-most screws on the side fins.
6. With the **QUANTAPANEL IGS** secured, raise and lower the sash one more time to make sure they are operating smoothly. Maintenance on the **QUANTAPANEL IGS** is minimal. Just wash the glass periodically and make sure the weep holes in the bottom of the frame are unobstructed and allow for drainage and fresh air ventilation.

QUANTA Technologies, Inc.  
1036 New Holland Avenue  
Lancaster, PA 17601  
1.855.782.6821  
[www.quantapanel.com](http://www.quantapanel.com)